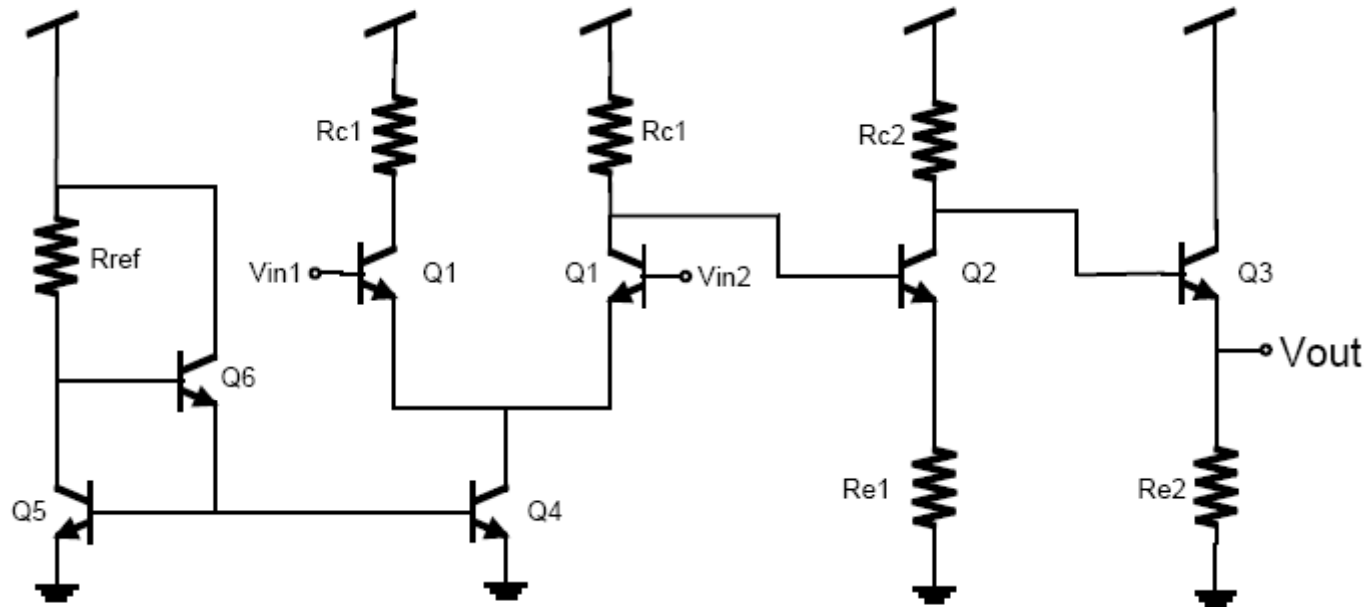


Lect. 18: Design Project

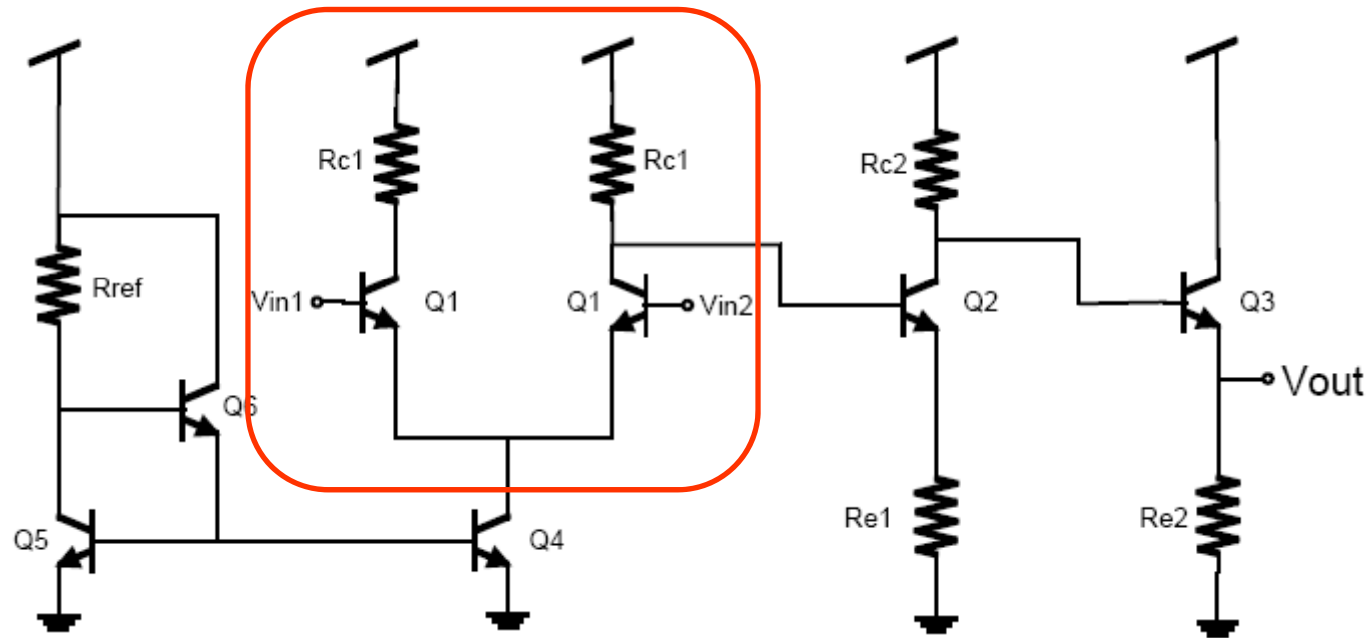


Current source: Determine R_{ref} for desired currents in differential amplifier (Lect. 15)

Initially, use 0.7 V drop for BE junction

Then, use I_s for better accuracy

Lect. 18: Design Project

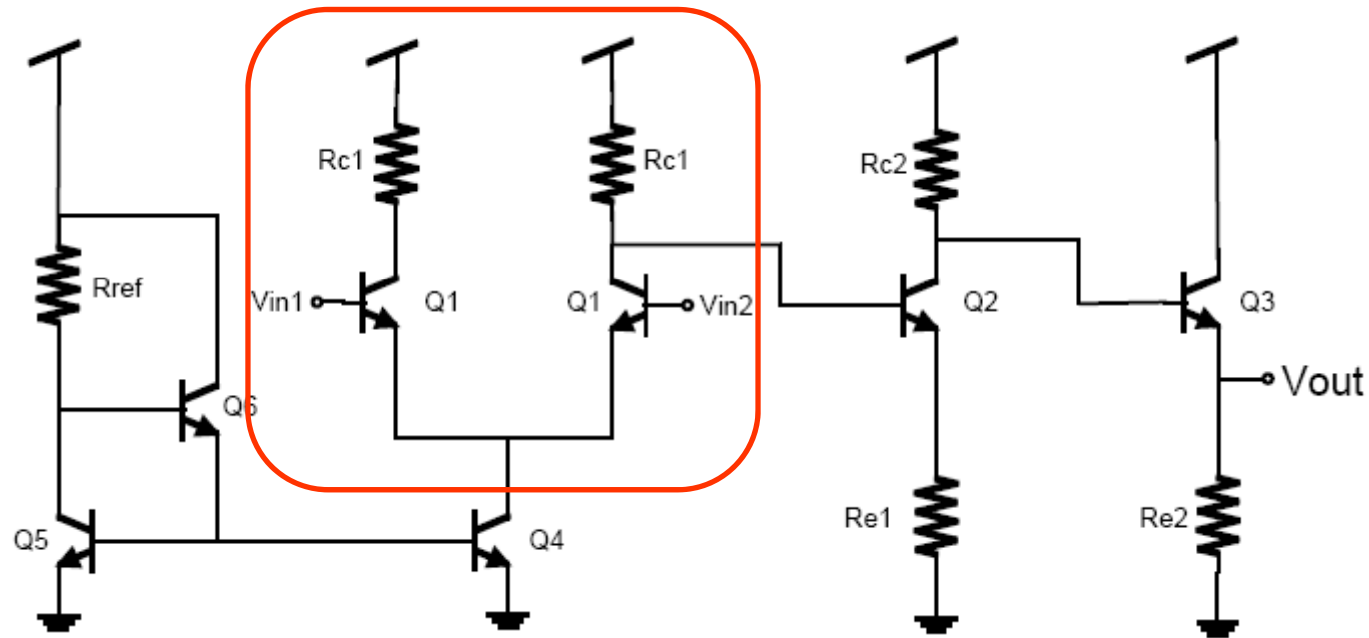


- Diff. Amp:

Input resistance: r_{π}

Input common-mode range

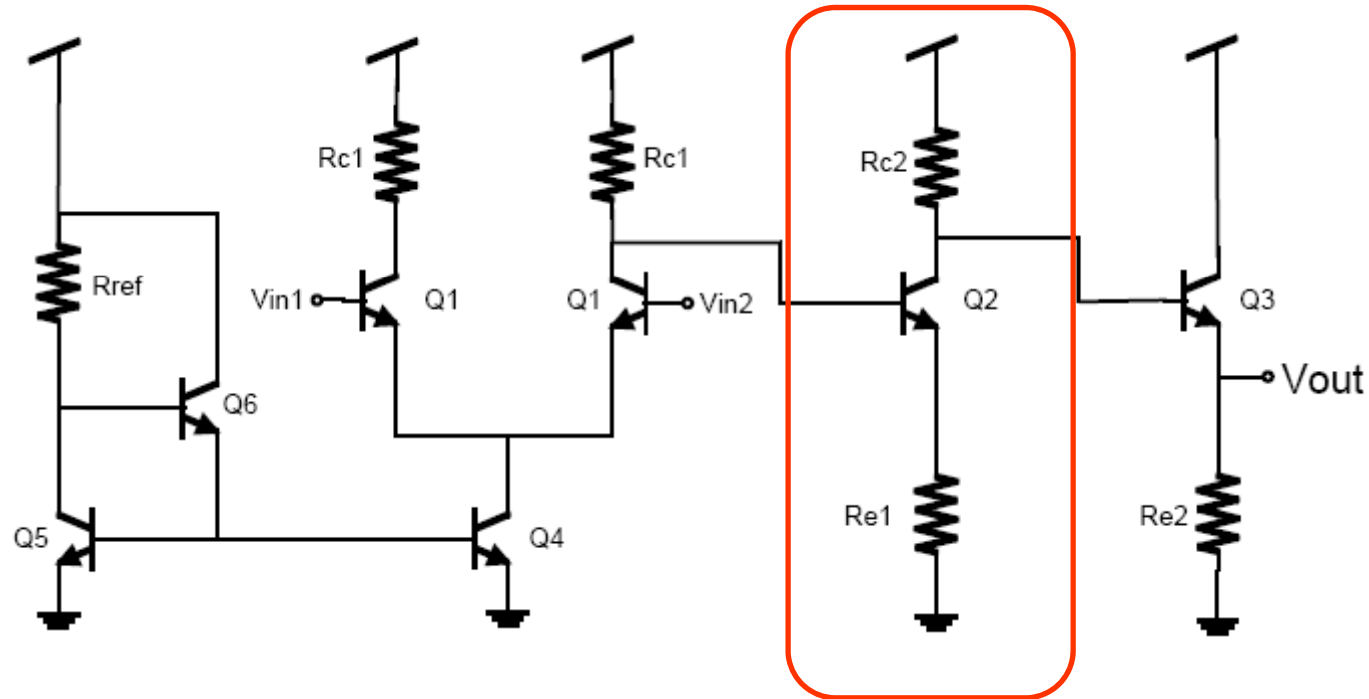
Lect. 18: Design Project



- Diff. Amp:

Gain: small-signal model

Lect. 18: Design Project



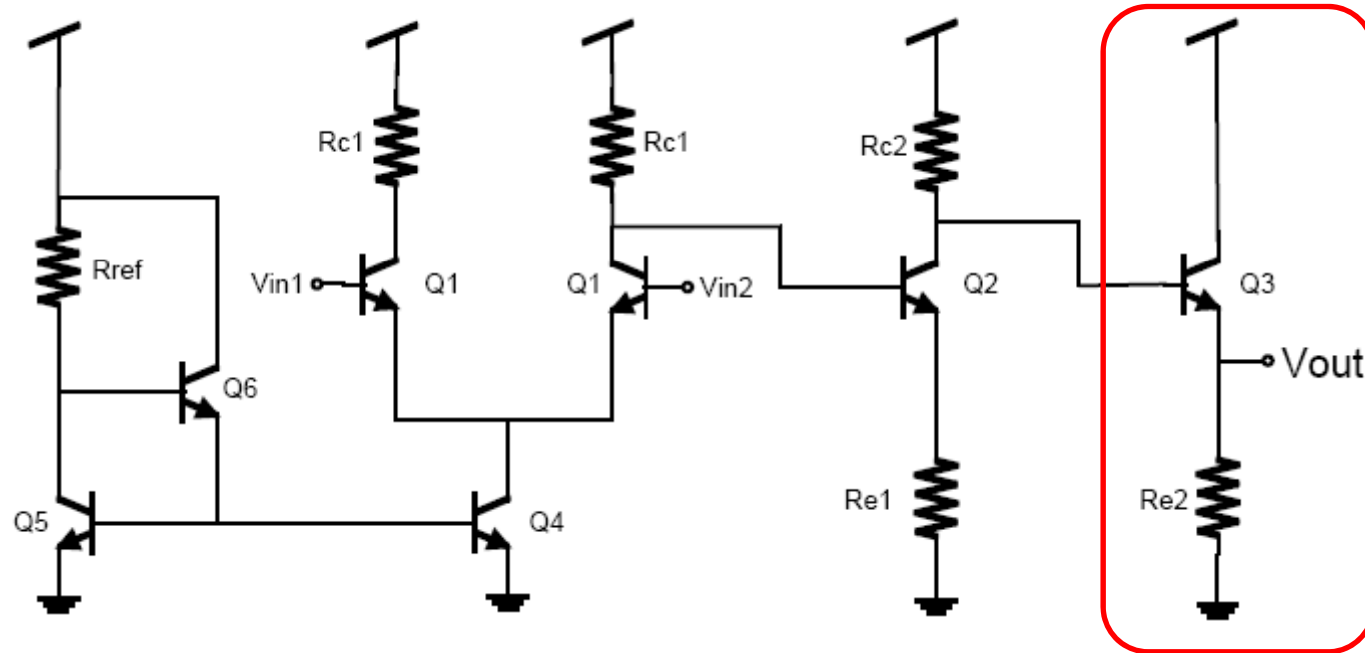
- Common Emitter with emitter resistance:

Input resistance:

Gain:

Output resistance:

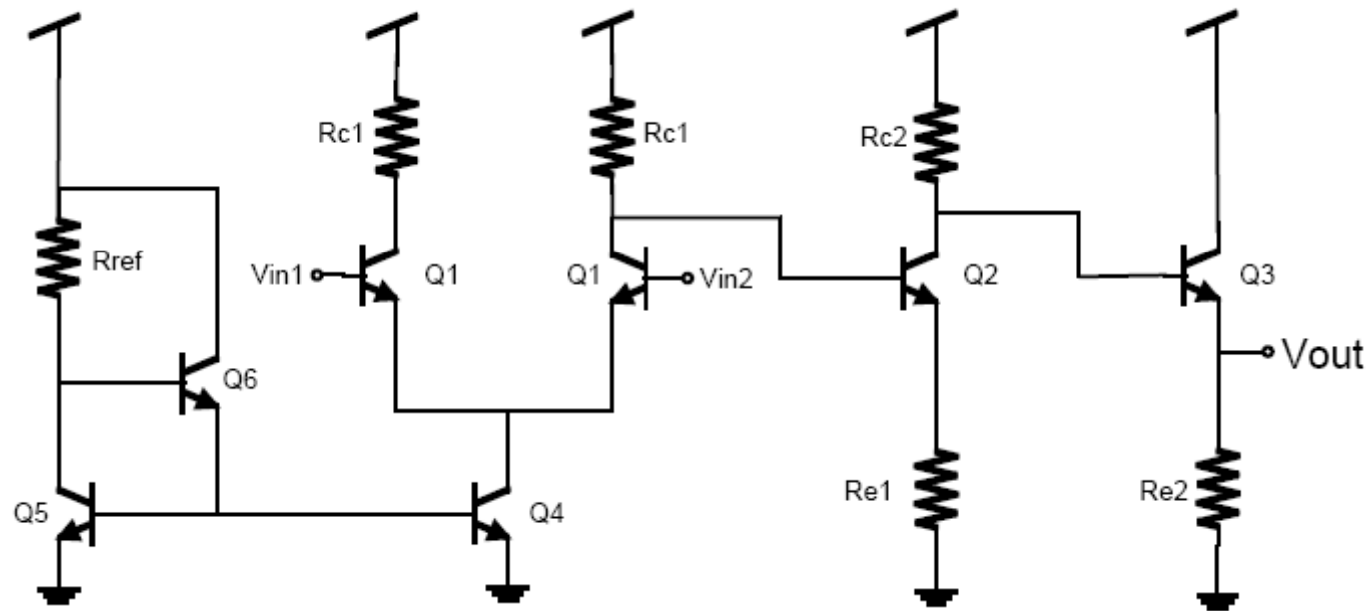
Lect. 18: Design Project



- Emitter follower:

Output resistance:

Lect. 18: Design Project



- Power consumption: